

Arch handles

Steel

SPECIFICATION

Steel

plastic coated

black, RAL 9005, textured finish **SW**

silver, RAL 9006, textured finish **SR**

TECHNICAL INFORMATION

- Load rating information (see page A35)

Stainless Steel-Arch handles

SPECIFICATION

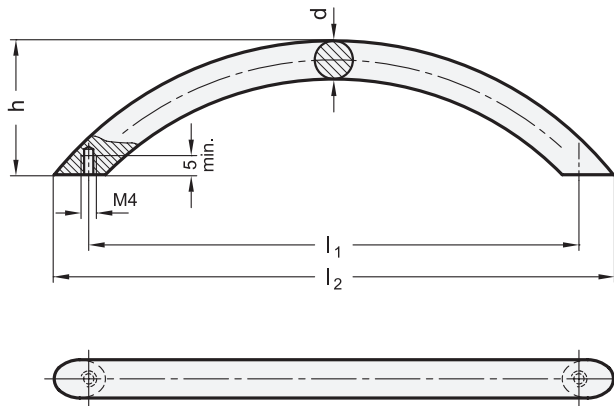
Stainless Steel AISI 303

matt brushed

TECHNICAL INFORMATION

- Stainless Steel characteristics (see page A26)

- Load rating information (see page A35)



* Complete with colour index of the Arch handles (SW or SR)

SW RAL9005 **SR** RAL9006

GN 424.1

Description	d	l1	l2 ≈	h ≈	Δ
GN 424.1-10-64-*	10	64 ±0.25	75	35	59
GN 424.1-10-96-*	10	96 ±0.25	111	35	72
GN 424.1-10-128-*	10	128 ±0.25	146	35	85
GN 424.1-10-160-*	10	160 ±0.25	181	35	100
GN 424.1-10-192-*	10	192 ±0.35	219	35	132

GN 424.5

STAINLESS STEEL

Description	d	l1	l2 ≈	h ≈	Δ
GN 424.5-10-64	10	64 ±0.25	75	35	58
GN 424.5-10-96	10	96 ±0.25	111	35	73
GN 424.5-10-128	10	128 ±0.25	146	35	89
GN 424.5-10-160	10	160 ±0.25	181	35	109
GN 424.5-10-192	10	192 ±0.35	219	35	127

